

STEM Maker Station



Assembly Guide STEM100_STEM102_2015_C

Check out our other products online at
www.copernicused.com

For assistance, please contact us:

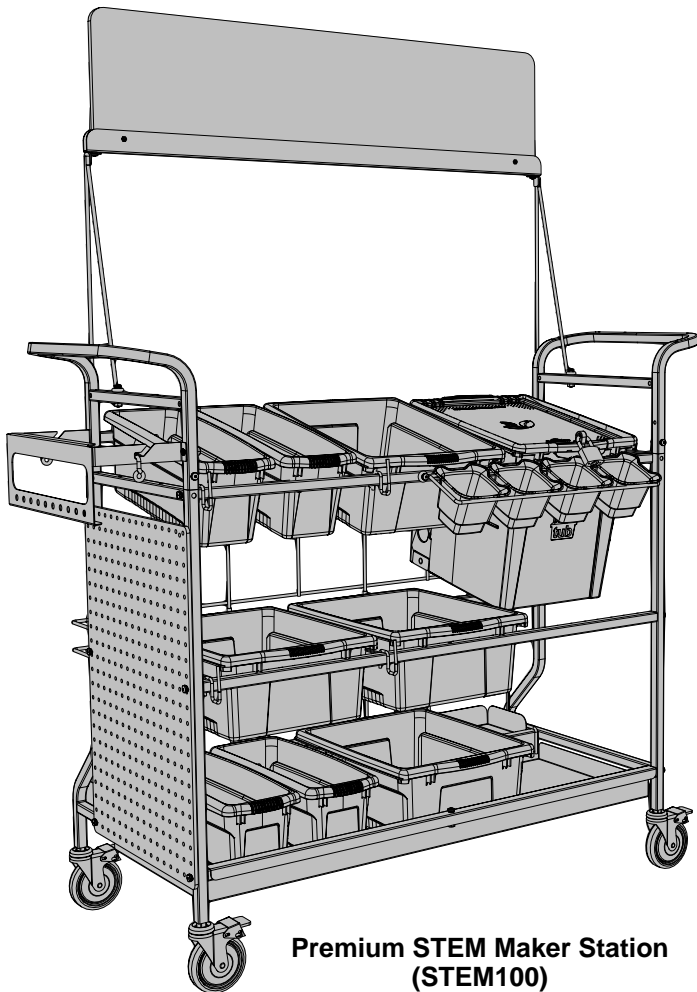
1-800-267-8494

Email info@copernicused.com

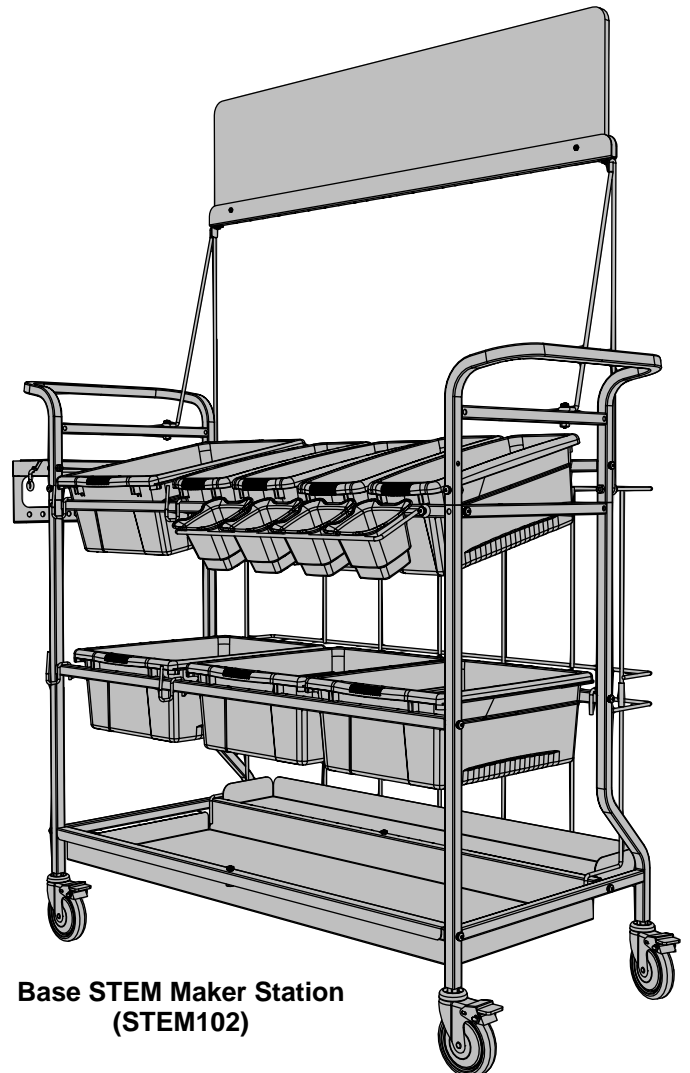
Have your packing slip ready for reference

WARNING !

- This product is meant to be assembled by an adult.
- In its unassembled state, small parts present a hazard.
- To be used under direct supervision of an adult.



Premium STEM Maker Station
(STEM100)



Base STEM Maker Station
(STEM102)



Please Recycle



Warning! Hazard Risks!

Please read the warnings below for important safety information regarding your product. Failure to read these warnings or to follow the instructions below could result in personal injury or damage to your product that could void your warranty.



Small Parts

In its unassembled state, this product contains parts that can be hazardous to small children. This product should be assembled by an adult.



Adult Supervision

This product is to be used under the supervision of an adult.



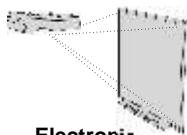
Indoor Use Only

This product is intended for indoor use only. To reduce the risk of fire or electric shock, do not expose this product to rain or moisture. The internal components are not sealed from the environment.



Powerbar Specifications

Read your powerbar's electrical specifications. Only plug in devices that are approved for use with this powerbar. Connect the supplied power bar directly to a wall outlet. **Do not connect to another power bar or use an extension cord.** Unplug when not in use.



Electronic Equipment

Read the electrical specifications of any electronic equipment you are using with your Copernicus products. Failure to read these specifications and follow their instructions could result in damage to your equipment or personal injury.



Cable Trip Hazard

Ensure that any cables extending across the floor to your product are properly bundled and marked to avoid tripping or falling which may lead to personal injury.



Electrical Shock

Do not install or use the electrical components of this unit during a lightning storm.



Climb Hazard

Do not climb on, hang from or suspend objects from any components of your product unless otherwise specified.



Before beginning, you should have:

Additional tools required:

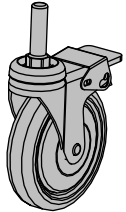
Adjustable wrench x1



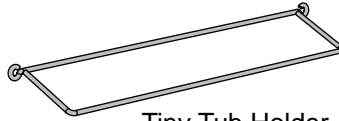
Screwdriver



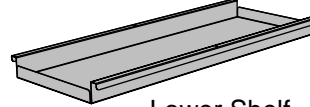
STEM100(Premium)-STEM102(Base) - Box 1



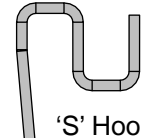
4" Casters
w/ pinch point
covers
4x



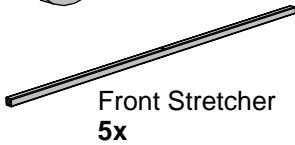
Tiny Tub Holder
1x



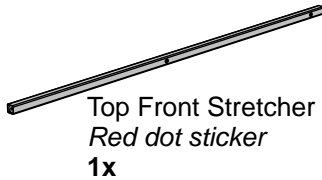
Lower Shelf
1x



'S' Hooks
4x



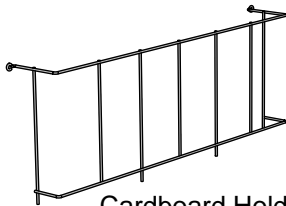
Front Stretcher
5x



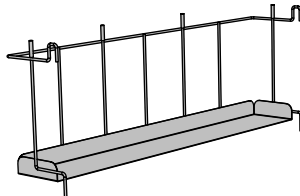
Top Front Stretcher
Red dot sticker
1x



Coroplast Sign
1x

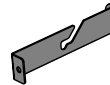


Cardboard Holder Top
1x

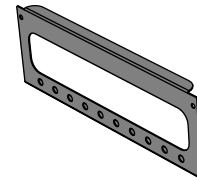


Cardboard Holder Bottom

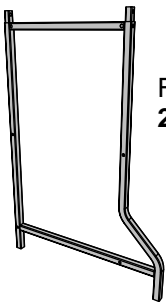
Tape Dispenser Front
1x



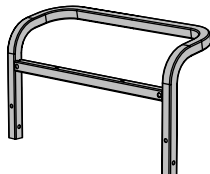
Tape Dispenser
Arm Left
1x



Tape Dispenser
Arm Right
1x



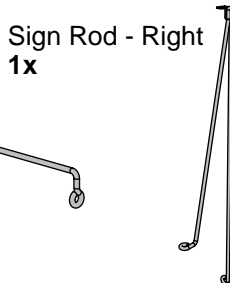
Frame
2x



Main Frame Handle
2x



Tape Spool
1x

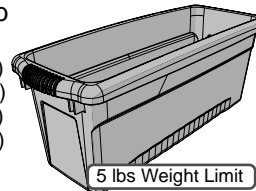


Sign Rod - Right
1x

Sign Rod - Left
1x

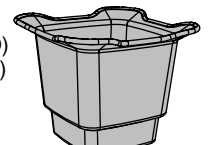
STEM102 (Base) - Accessory Box 2

Small Tub
4x
(CC4070-B)
(CC4070-G)
(CC4070-Y)
(CC4070-R)



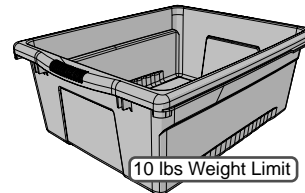
5 lbs Weight Limit

Tiny Tub
4x
(CC4072-O)
(CC4072-P)



2.5 lbs Weight Limit

Open Tub
4x
(CC4068-B)
(CC4068-G)
(CC4068-Y)
(CC4068-R)

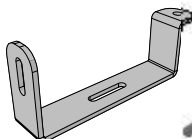


10 lbs Weight Limit

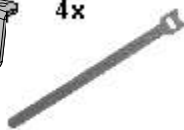
In Box 2

STEMAC1 Powerbar Accessory Kit

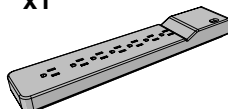
Power Bar Holder
2x



Cable Tie
4x



Power Bar
x1



D M6 30mm
x2



H M6 Lock
Washer
x2



J M6 Nut
x2



Before beginning, you should have:

Additional tools required:

Adjustable wrench x1



Screwdriver



Hardware
Actual Size

In Box 1

(A) M6 50mm
x12



(B) M6 40mm
x2



(C) M6 35mm
x2



(D) M6 30mm
x5



(E) M6 19mm
x2



(F) M5 20mm
x2



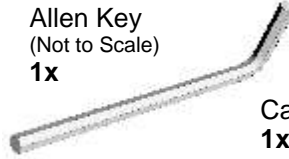
(G) M5 15mm
x2



(N) M6 10mm
x2



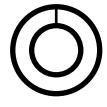
Allen Key
(Not to Scale)
1x



Caster Wrench
1x



(H) M6 Lock Washer
x23



(I) M5 Lock Nut
x2



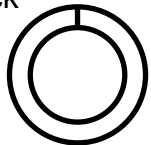
(J) M6 Nut
x11



(K) M5 Lock Washer
x2



(L) M12 Lock
Washer
4x

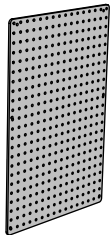


(M) M6 Flat
Washer
4x

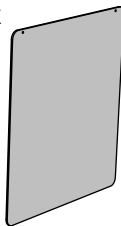


STEM 100 (Premium) - Accessory Box 2

Peg Board
1x



White Board
1x

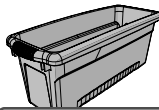


Tiny Tub
4x
(CC4072-O)
(CC4072-P)



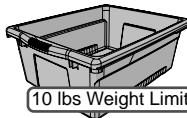
2.5 lbs Weight Limit

Small Tub
4x
(CC4070-B)
(CC4070-G)
(CC4070-Y)
(CC4070-R)



5 lbs Weight Limit

Open Tub
4x
(CC4068-B)
(CC4068-G)
(CC4068-Y)
(CC4068-R)

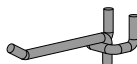


10 lbs Weight Limit

'S' Hooks
2x



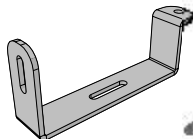
Pegboard Hooks
6x



In Box 2

STEMAC1 Powerbar Accessory Kit

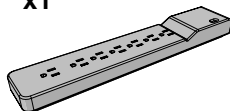
Power Bar Holder
2x



Cable Tie
4x



Power Bar
x1



(D) M6 30mm
x2



(H) M6 Lock
Washer
x2



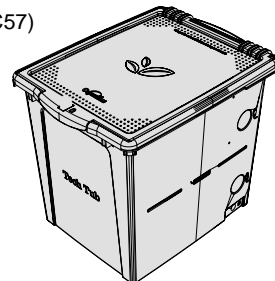
(J) M6 Nut
x2



STEM 100 ONLY!

TEC57 - BOX 3

Tech Tub™
1x
(TEC57)





2 Person

Watch for These Helpful Symbols

- This symbol denotes a 2 Person Task. For safety, please ensure that there are two people working on steps displaying this symbol



- Watch for this symbol throughout the Assembly Instructions. Wherever you see it, pay close attention. The symbol denotes a step needing extra attention to ensure it is done correctly.



- The Star symbol highlights an advisory note

Before You Begin



- Layout and identify all of the included parts
- The hardware has been packed by step
- Read the assembly instructions over once to familiarize yourself with them
- Please note that in its unassembled state, this product contains parts that can be a hazard to small children; it should be assembled by an adult.

As You Assemble the Unit



- Follow the steps in sequence
- Before beginning each step, find the part(s) that you need for that step
- Pay attention to the labeling on the parts, they are there to help direct you at certain stages
- The title of each step states what you will be doing. Review the text and the pictures as you build the unit.



Validate Your Warranty On-Line

To validate your warranty submit the ON-LINE form at www.copernicused.com

“The beautiful thing about learning is that no one can take it away from you.” - B. B. King



Tips for Assembly

Watch for These Helpful Symbols

This symbol denotes a 2- or 3- Person Task. For safety, please ensure that there are the suggested number of people working on steps displaying this symbol.



Watch for this symbol throughout the Assembly Guide. Wherever you see it, pay close attention. The symbol denotes a step needing extra attention to ensure it is done correctly.



The star symbol highlights an advisory note.



Before You Begin

- Lay out and identify all of the included parts.
- The hardware has been packed according to step.
- Read the assembly guide over once to familiarize yourself with them.

! Please note that in its unassembled state, this product contains parts that can be hazardous to small children. This product should be assembled by an adult.



As You Assemble the Unit

- Follow the steps in sequence.
- Before beginning each step, find the part(s) that you need for that step.
- Pay attention to the labels on the parts; they are there to help direct you at certain stages.
- The title of each step states what you will be doing. Review the text and the pictures as you build the unit.



Customer Service - FAQ's

For missing parts and other issues regarding the frame:

- The height adjust system is not working.
- The projector mount cannot be rotated.



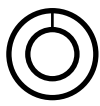

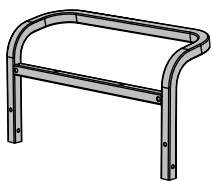
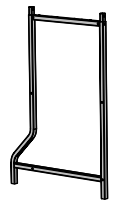
Please call Copernicus Customer Service, where we will be happy to help.

1-800-267-8494. Monday - Friday 8:30am - 4:30 pm EST.

OR

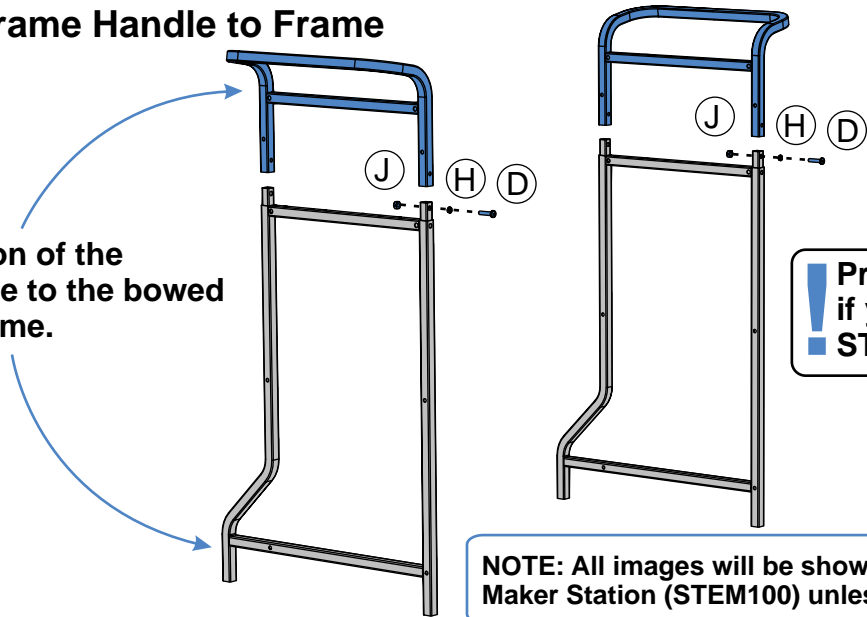
Email our Tech Support Service at info@copernicused.com



1	Actual Size:				
		2x	2x	2x	2x
You will need: (Not to Scale)			Main Frame Handle 2x		Frame 2x


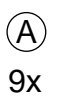


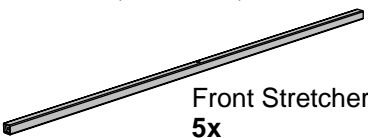
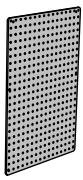
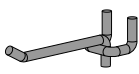
Attach Main Frame Handle to Frame

Note the orientation of the Main Frame Handle to the bowed back leg of the frame.



Proceed to Step 2b if you are assembling STEM102 (Base)

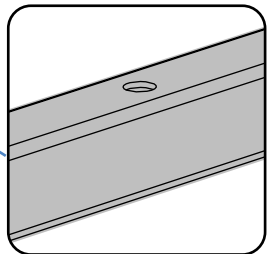
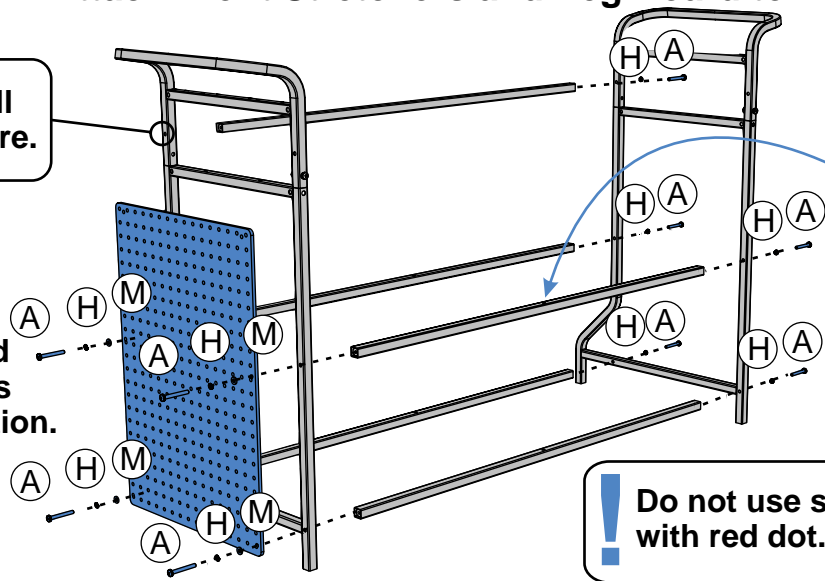
NOTE: All images will be showing the Premium STEM Maker Station (STEM100) unless otherwise stated.

2a	Actual Size:				
		9x	9x	9x	4x
You will need: (Not to Scale)			Front Stretcher 5x		Peg Board 1x
					Pegboard Hooks 6x

Premium Version: Attach Front Stretchers and Peg Board to Frame.

Do not install hardware here.

Align Pegboard mounting holes before installation.



The hole on the Front Stretchers should be facing upwards.

Do not use stretcher with red dot.



2b

Actual Size:

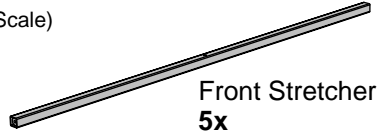


9x



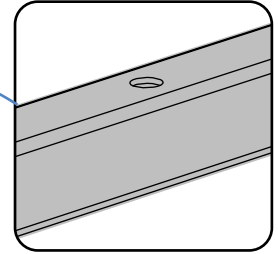
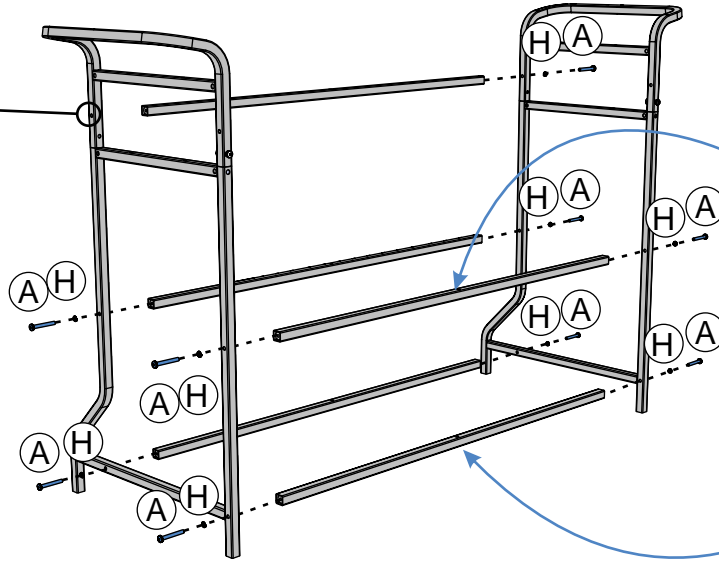
9x

You will need: (Not to Scale)



Base Version: Attach Front Stretchers to Frame

! Do not install hardware here.



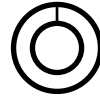
The hole on the Front Stretcher should be facing upwards.

3

Actual Size:

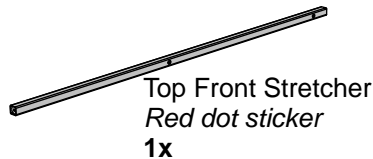


2x



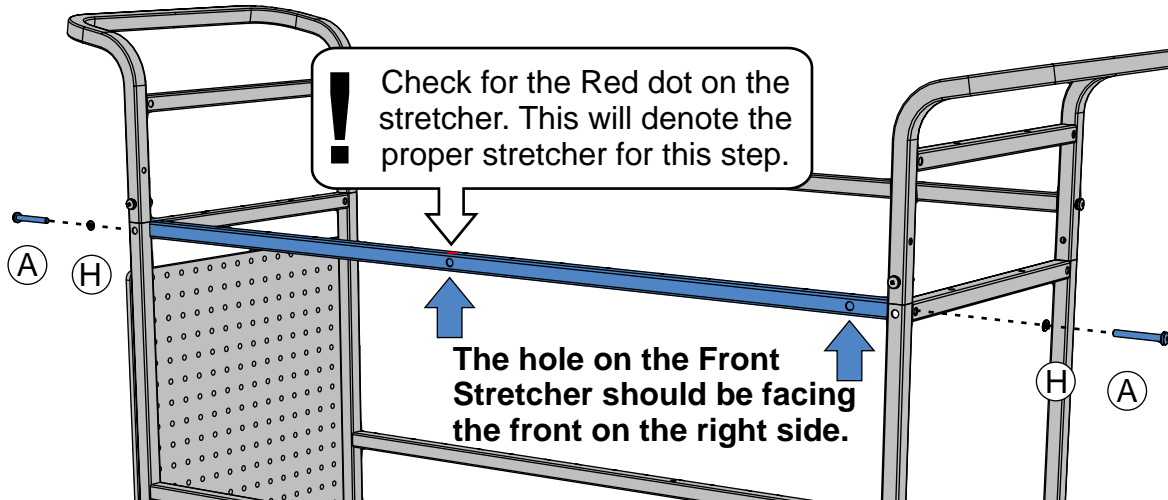
2x

You will need: (Not to Scale)



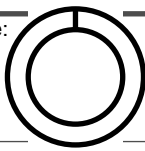
Install Top Front Stretcher.

Note the orientation of the holes on the stretcher.



4

Actual Size:



(L) M12 Lock Washer
4x

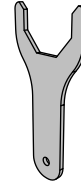


2-Person Task

You will need: (Not to Scale)



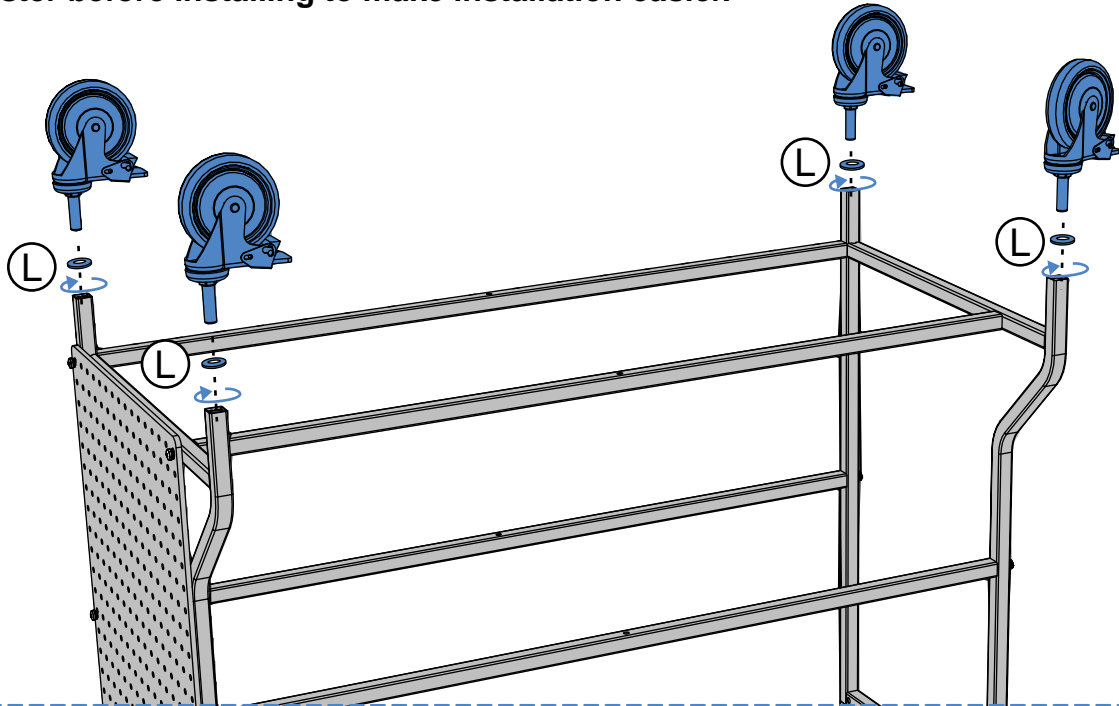
4" Casters w/ pinch
point covers
4x



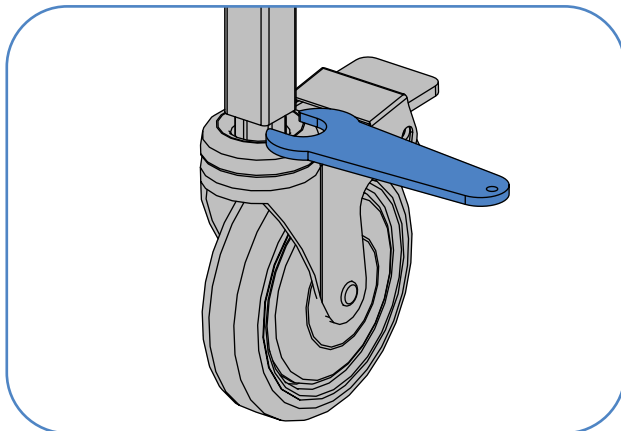
Caster Wrench
1x

Insert Casters into bottom of Frame

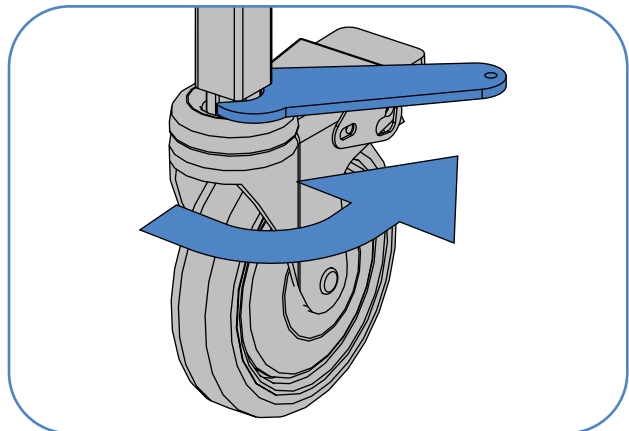
Lock Caster before installing to make installation easier.



Tighten Casters using Caster Wrench Provided



Place Caster Wrench around the
hexagon collar on caster



Tighten **each** caster by turning wrench
in a clockwise direction until tightened.



PLEASE KEEP WRENCH WITH UNIT.
Casters need to be tightened every 6 months for proper maintenance.

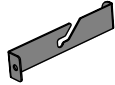


5

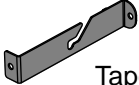
Actual Size:



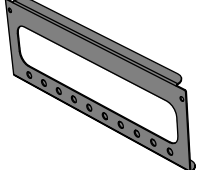
You will need: (Not to Scale)



Tape Dispenser Arm Left 1x



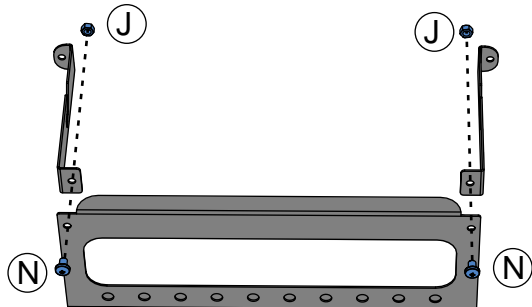
Tape Dispenser Arm Right 1x



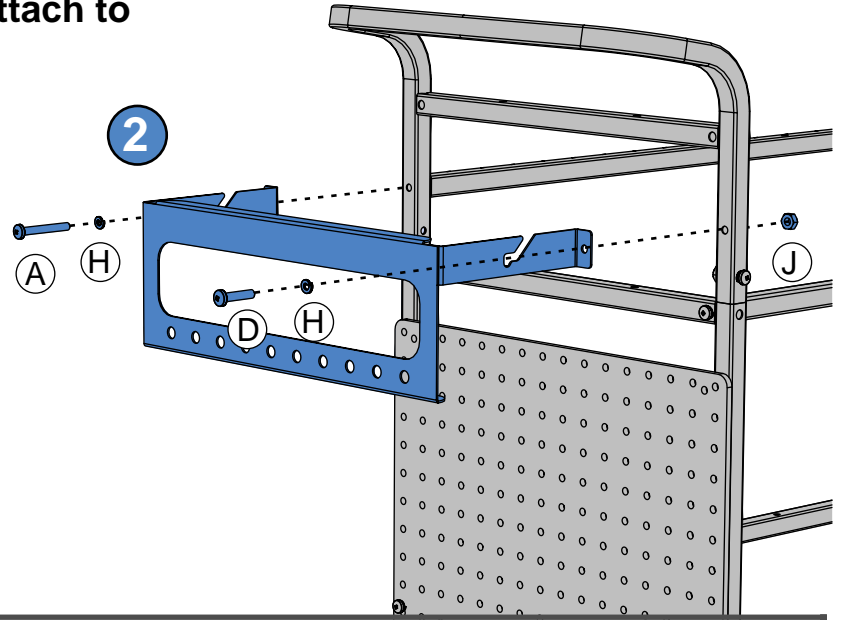
Tape Dispenser Front 1x

Assemble the Tape Roller then attach to the side of frame.

1



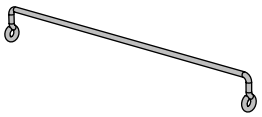
2



6

Actual Size:

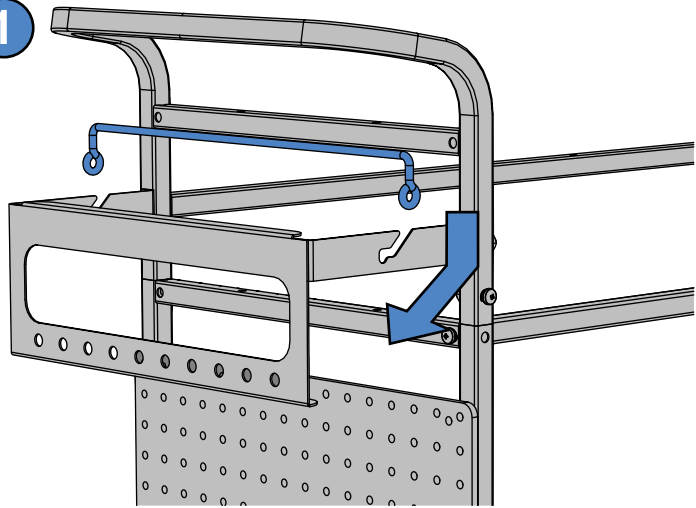
You will need: (Not to Scale)



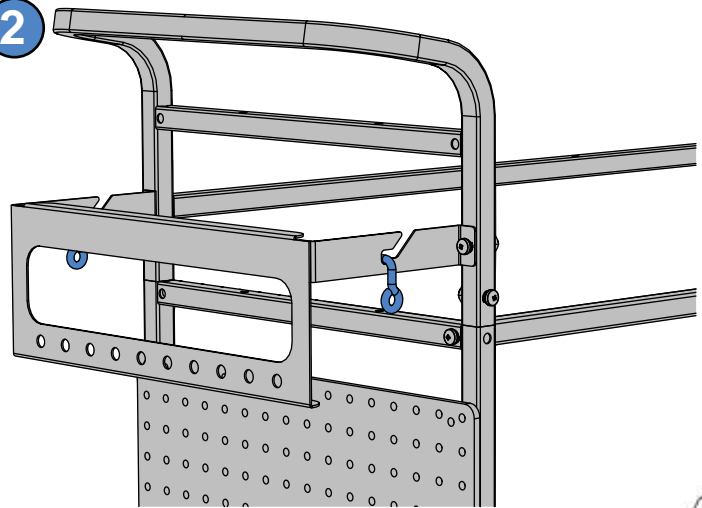
Tape Spool 1x

Install Tape Spool into slot on Tape dispenser

1



2



7

Actual Size:



D
2x

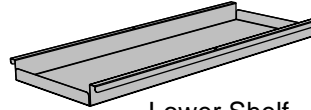


H
2x



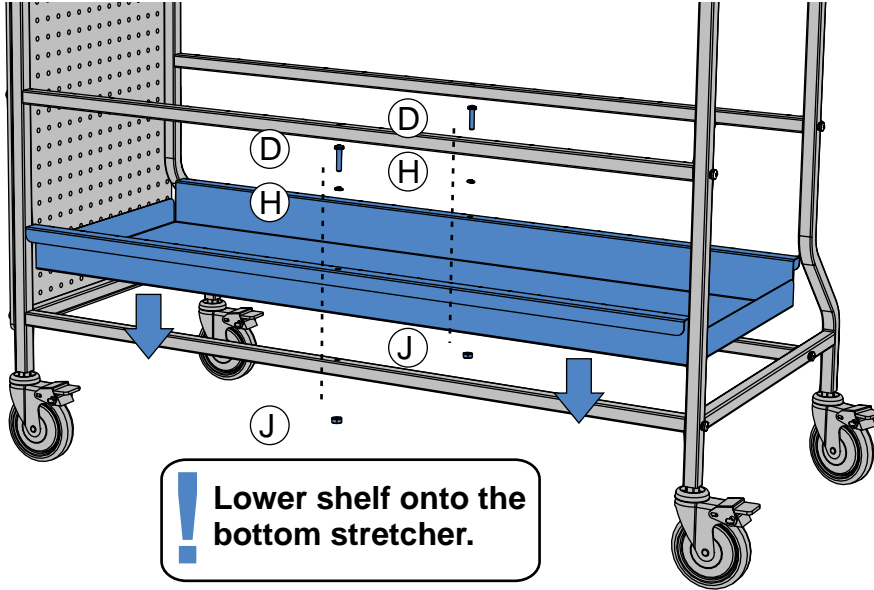
J
2x

You will need: (Not to Scale)



Lower Shelf
1x

Install Lower Shelf onto bottom stretchers.



! Lower shelf onto the bottom stretcher.

8

Actual Size:

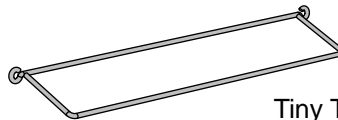


E
2x



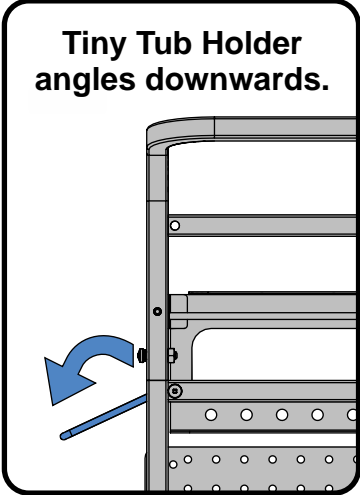
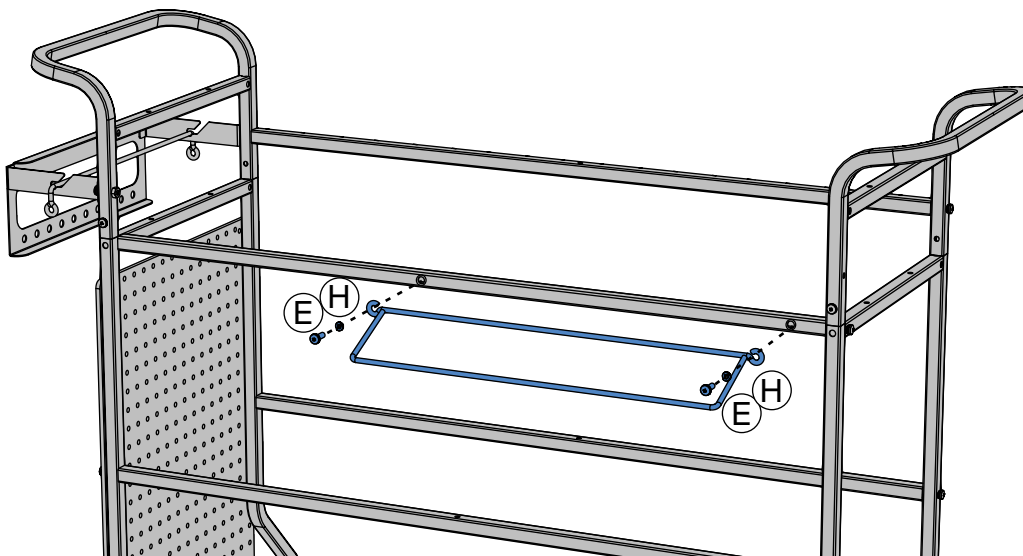
H
2x

You will need: (Not to Scale)



Tiny Tub Holder
1x

Attach Tiny Tub Holder



Tiny Tub Holder angles downwards.

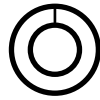


9

Actual Size:



C
2x

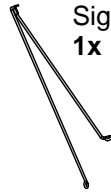


H
2x

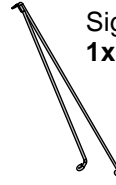


J
2x

You will need: (Not to Scale)

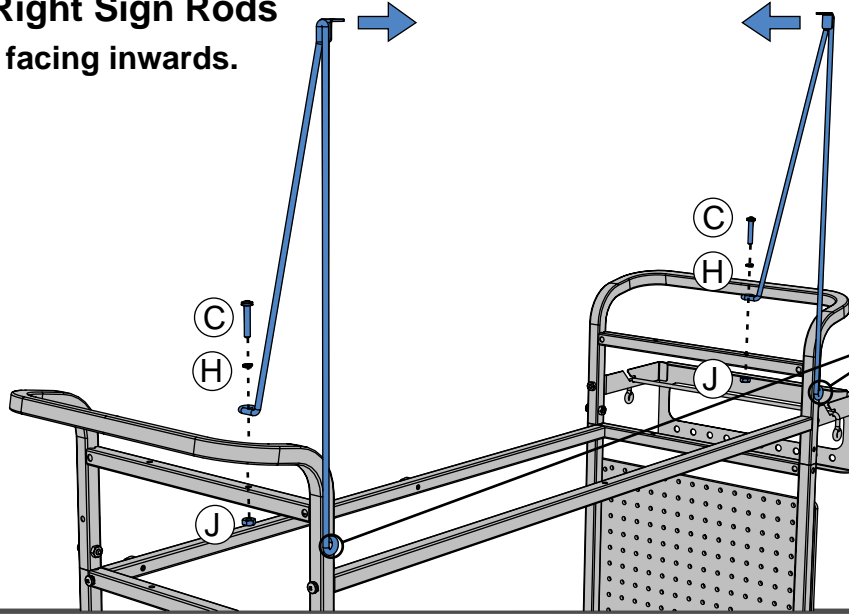


Sign Rod - Left
1x



Sign Rod - Right
1x

Attach Left and Right Sign Rods Top tabs should be facing inwards.



DO NOT secure the long arms of the sign rods. To be done at a later step.

10

Actual Size:



G
2x



K
x2



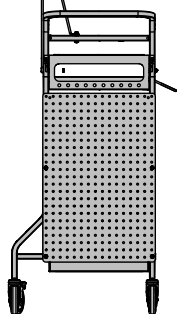
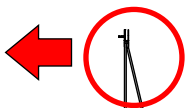
2-Person Task

You will need: (Not to Scale)

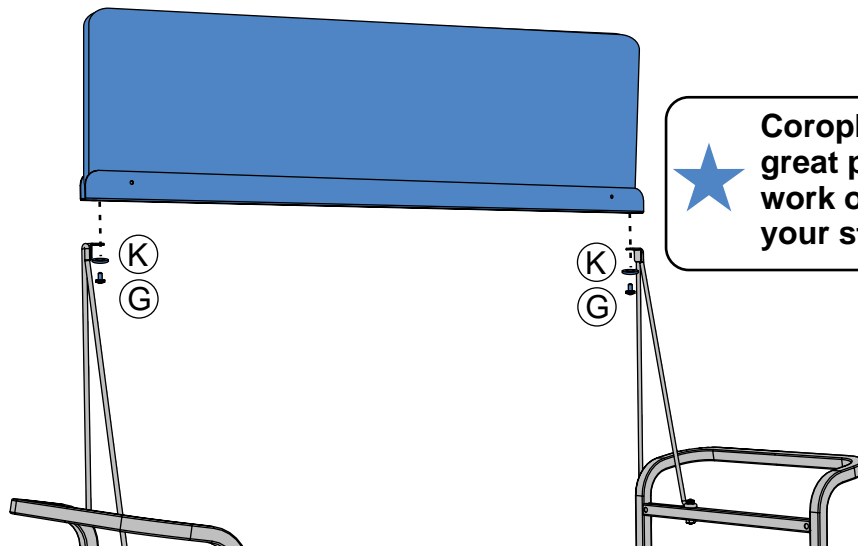


Coroplast Sign
1x

Attach the Top Metal Channel to the Sign Rods



! Metal Loops should be facing the back of the cart.



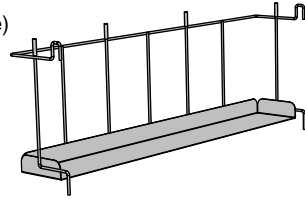
★ Coroplast Sign is a great place to display work or to personalize your station.



11

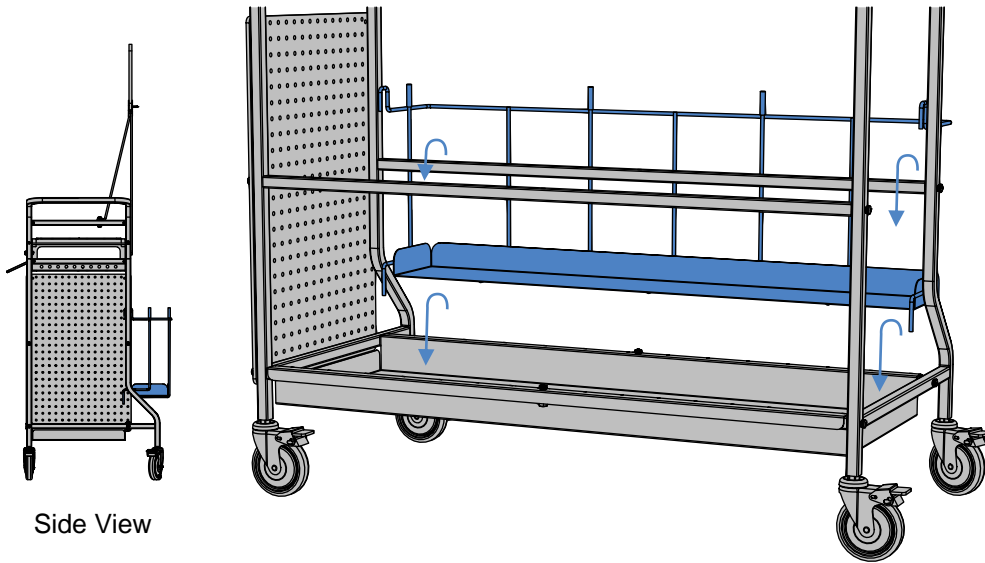
Actual Size:

You will need: (Not to Scale)

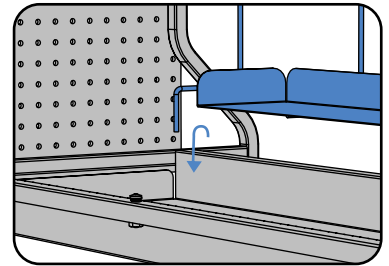


Cardboard Holder Bottom
1x

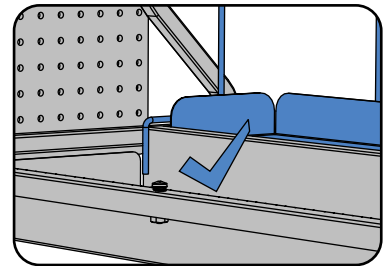
Slide Cardboard Holder Bottom over Stretchers



Side View



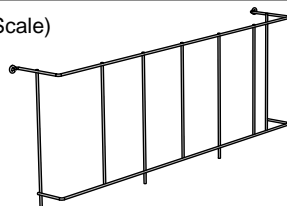
Hook holder over frame.



12

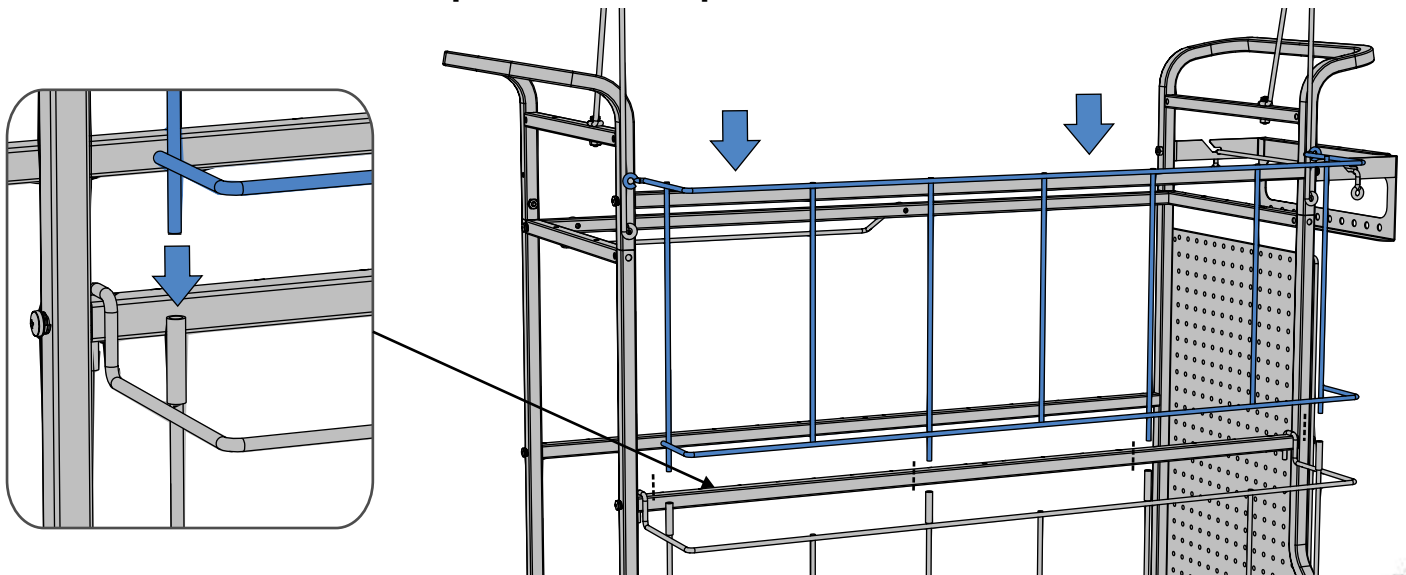
Actual Size:

You will need: (Not to Scale)



Cardboard Holder Top
1x

Slide Cardboard Holder Top into bottom piece.

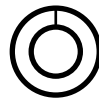


13

Actual Size:



(B)
2x



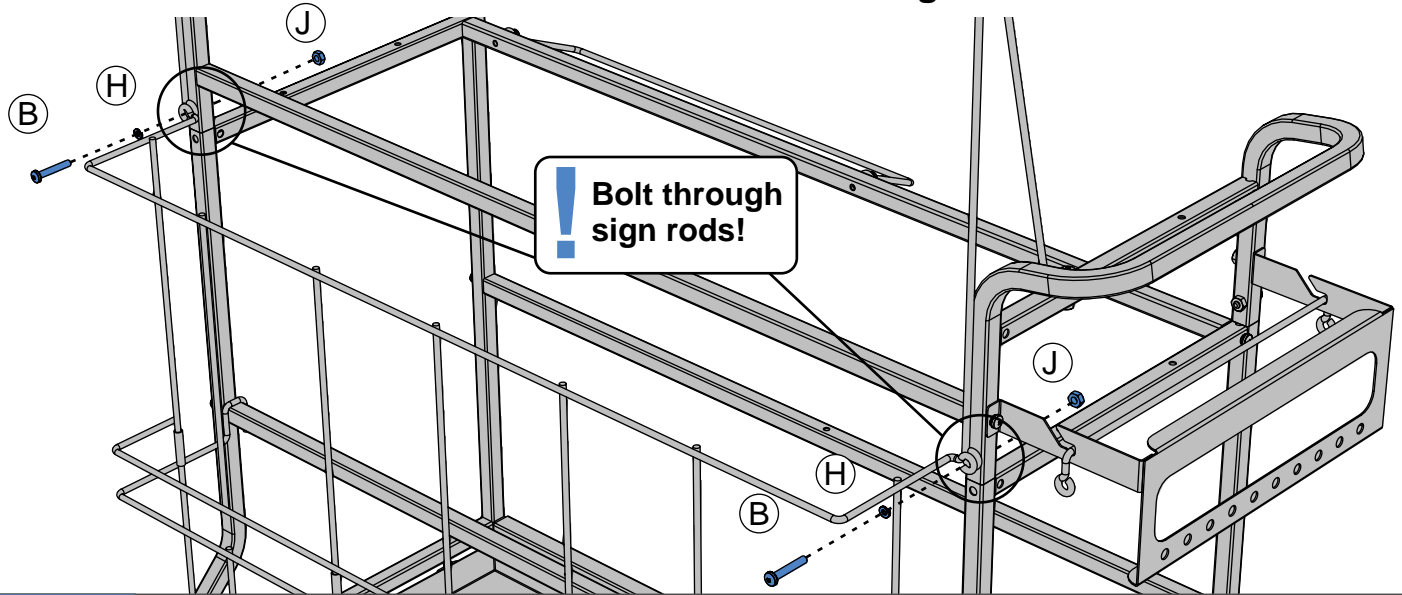
(H)
2x



(J)
2x

You will need: (Not to Scale)

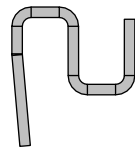
Install hardware to secure Cardboard Holder and Sign Rods to Frame.



14

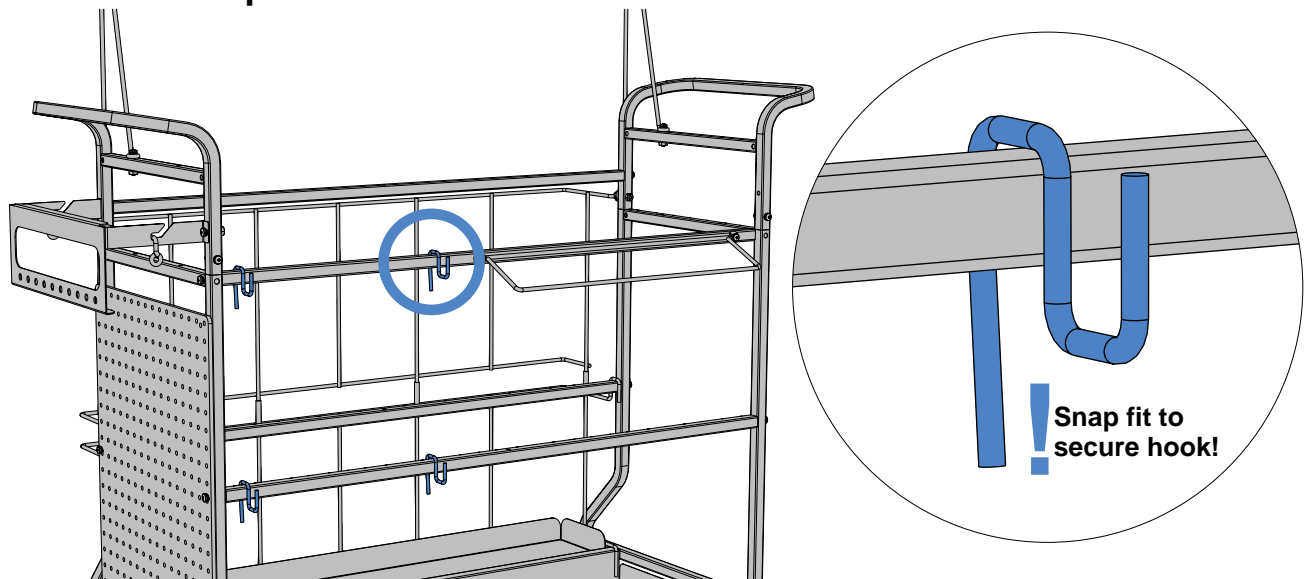
Actual Size:

You will need: (Not to Scale)

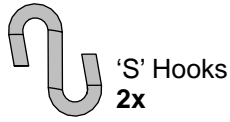


'S' Hooks
4x

'S' hooks can be placed on the stretchers to hold tools or other useful items

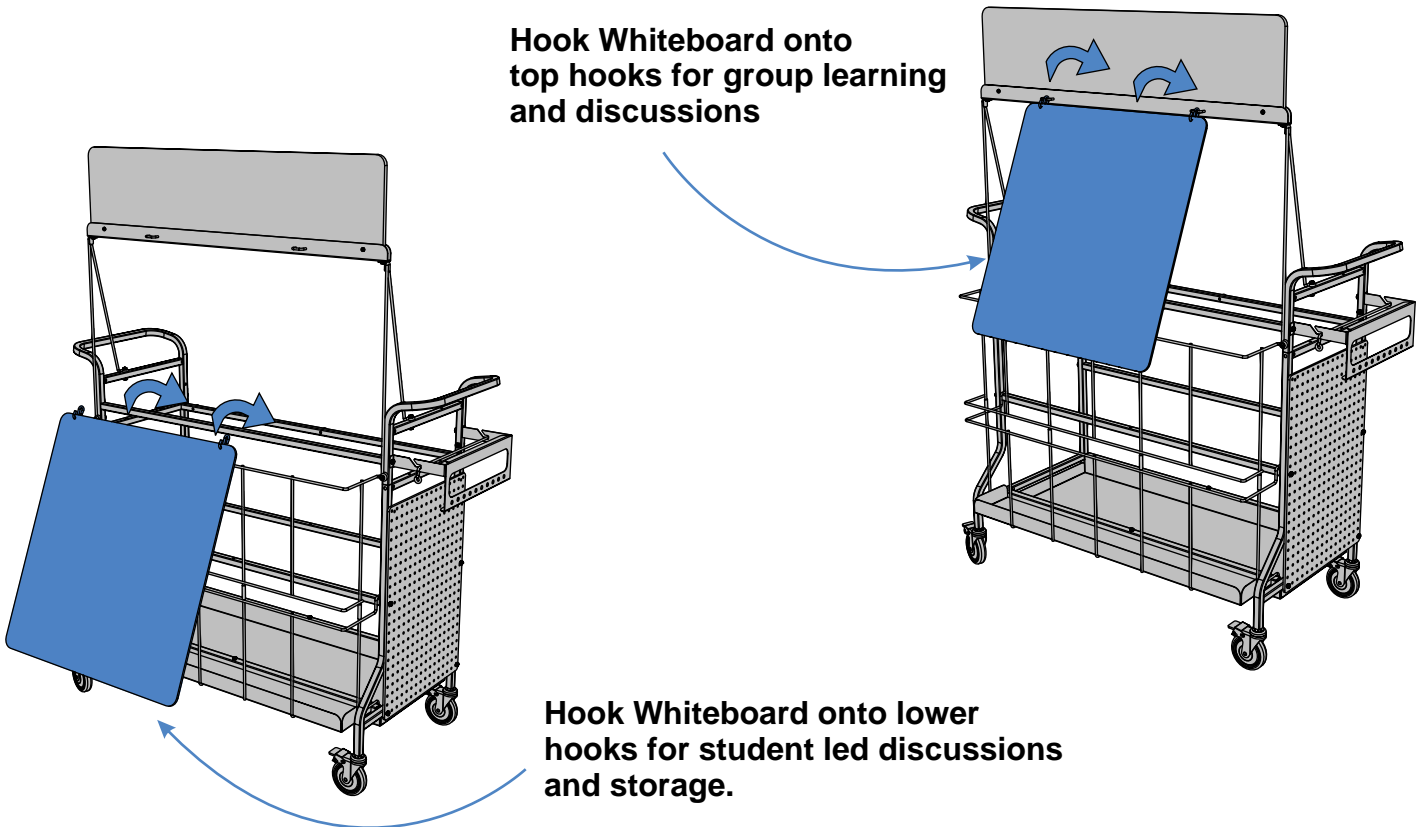
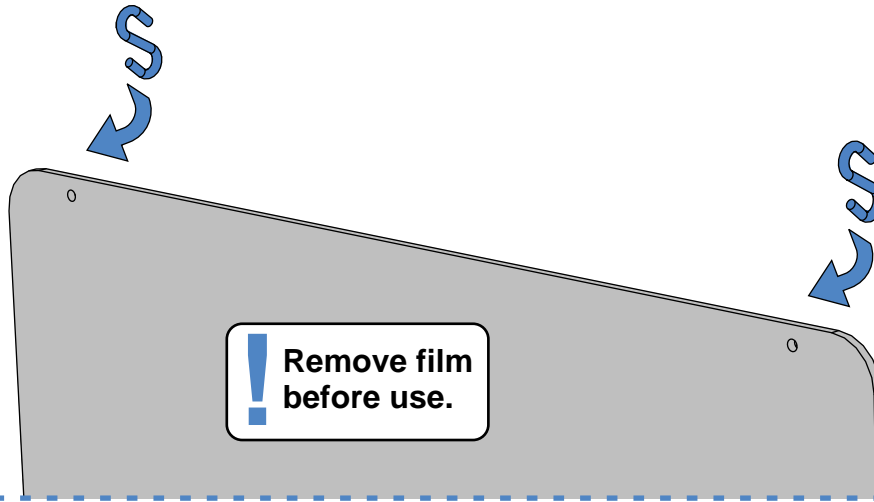


You will need: (Not to Scale)



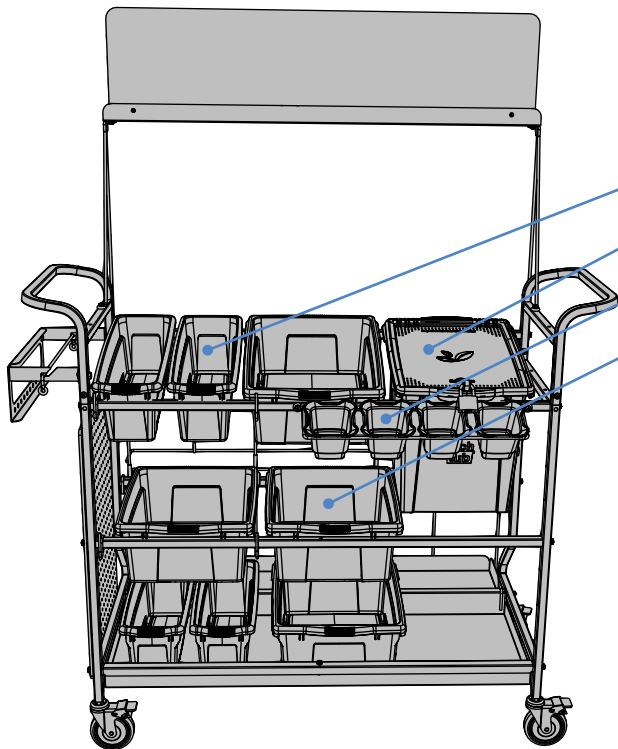
White Board
1x

Install White Board onto STEM Maker Station
 Attach 'S' Hooks onto White Board, then hook board on top wire of Cardboard Holder.



You will need: (Not to Scale)

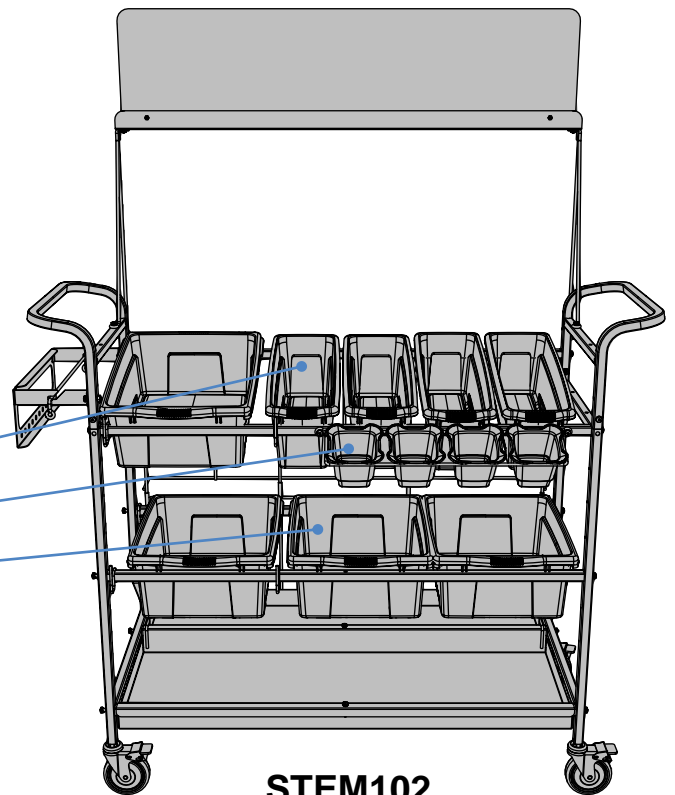
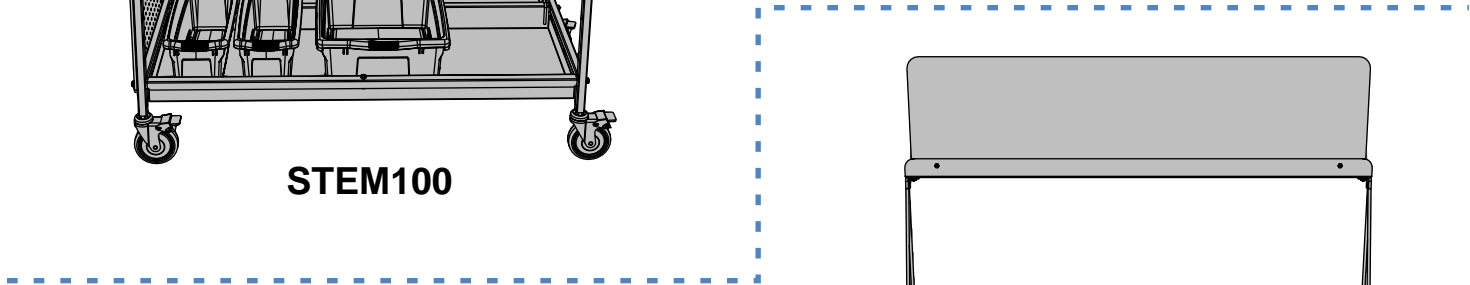
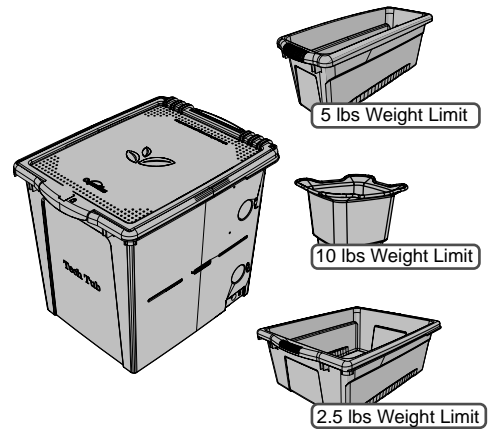
Install Tubs into STEM Maker Station



STEM100

Premium Tub Pack

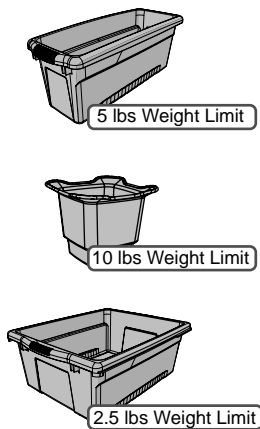
- 4x Small Tub
- 1x Tech Tub
- 4x Tiny Tub
- 4x Open Tub



STEM102

Base Tub Pack

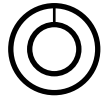
- 4x Small Tub
- 4x Tiny Tub
- 4x Open Tub



Actual Size:



D
2x

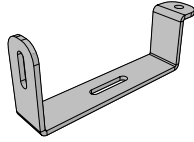


H
2x



J
2x

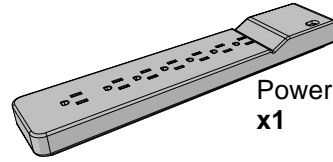
You will need: (Not to Scale)



Power Bar Holder
2x

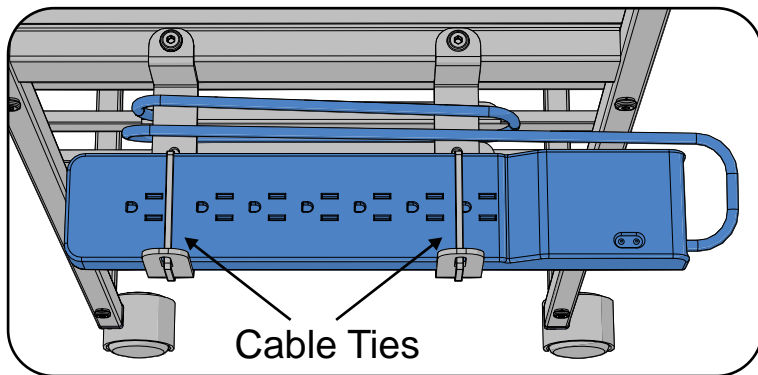
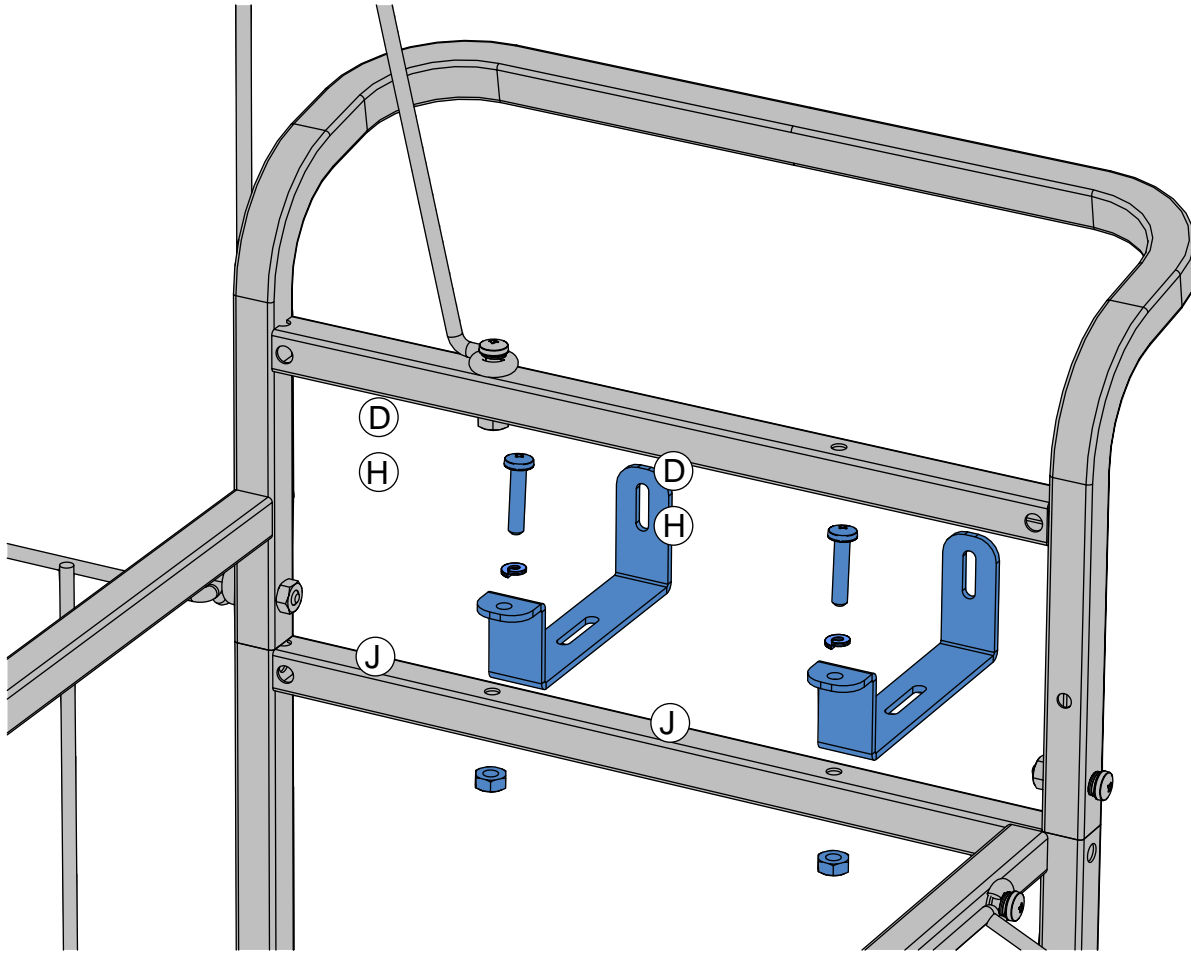


Cable Tie
2x



Power Bar
x1

OPTIONAL: Install Powerbar & Bracket if purchased.



- ★ Secure power bar with Cable Ties, being sure not to obstruct outlets
- ★ Wrap the excess power bar cord around the hooks like shown below





Assembly Guide STEM100_STEM102_2015_B

Check out our other products online at
www.copernicused.com

For assistance, please contact us:

1-800-267-8494

Email info@copernicused.com

Have your packing slip ready for reference

Dear Educator,

Thank you for purchasing one of our products.

I hope the assembly of your STEM Maker Station went well.

If you have any questions, or concerns, or ideas for how we can improve, please call us at 1-800-267-8494, where someone will be happy to help.

Enjoy using your new product, and happy teaching,

Jim Phillips
President



Quality schools are the
result of quality teachers
going above and beyond
the call of duty.

VICKI CARUANA

In everyone's life at some
time our inner fire goes
out. It is then burst into
flame by an encounter
with another human
being. We should all be
thankful for those people
who rekindle the inner
spirit.

ALBERT SCHWEITZER

My idea of education is
to unsettle the minds of
the young and inflame
their intellects.

ROBERT MAYNARD
HUTCHINS

Nothing has a better
effect upon children than
praise.

SIR PHILLIP SIDNEY

