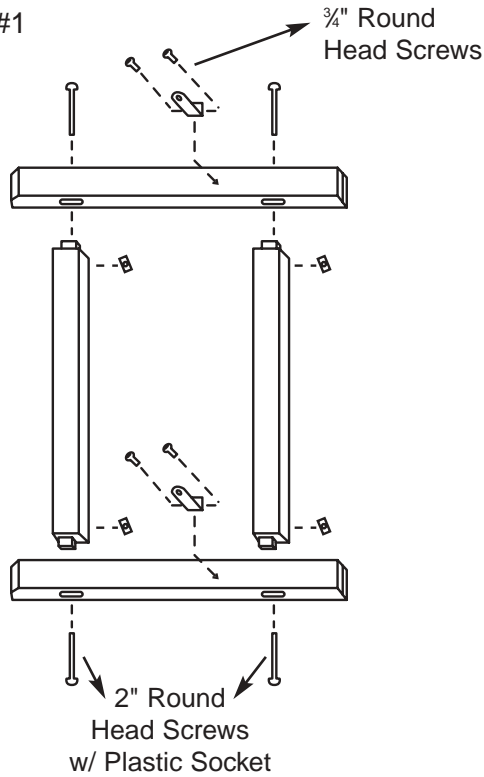
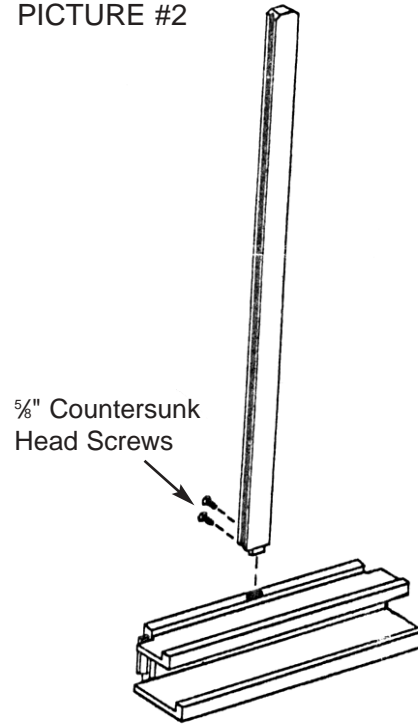


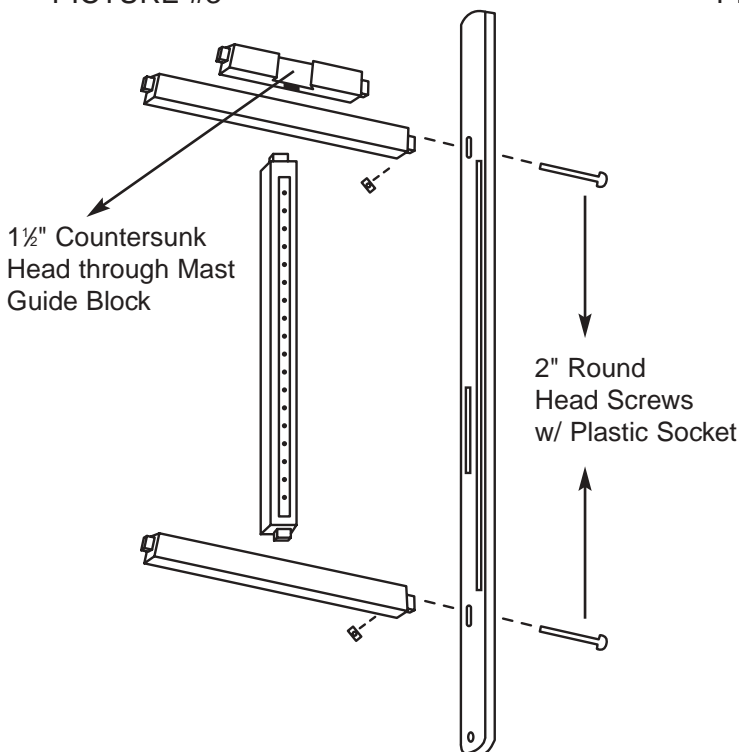
PICTURE #1



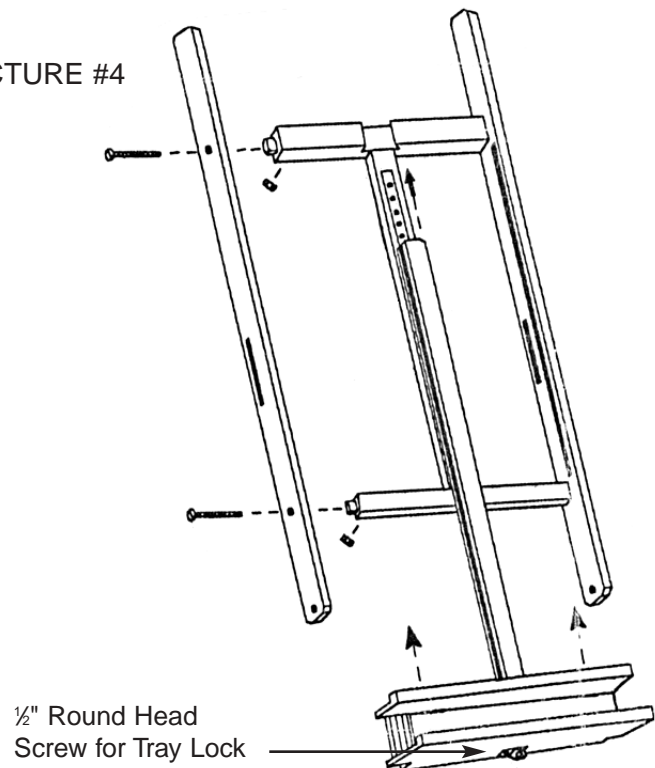
PICTURE #2



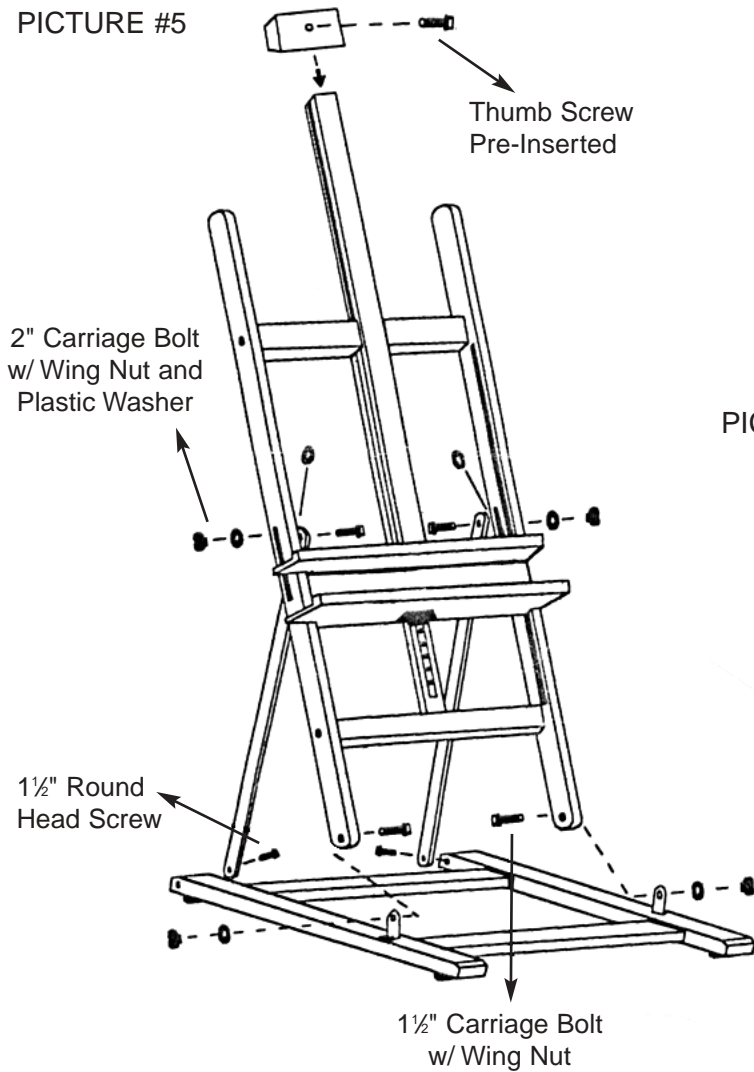
PICTURE #3



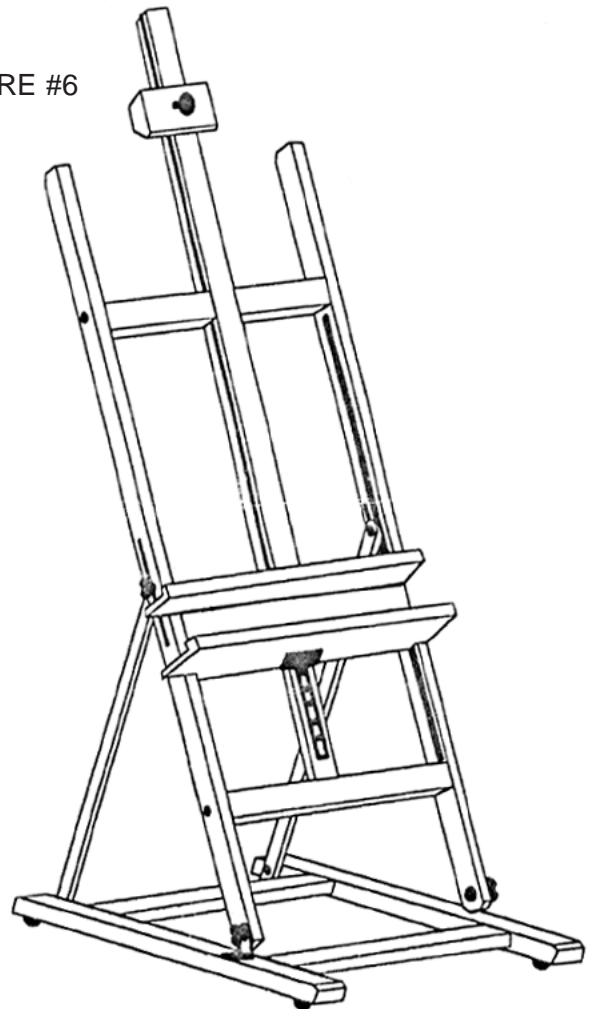
PICTURE #4



PICTURE #5



PICTURE #6



NOTE: To assure stability of easel, use wood glue.
 Make sure the easel is put together correctly *FIRST*, before using glue to permanently insert wooden dowels.