

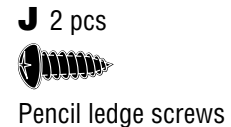
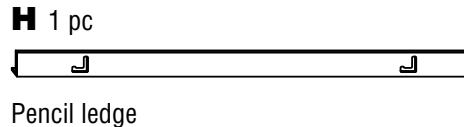
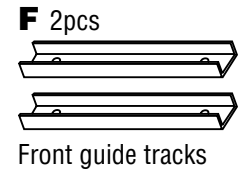
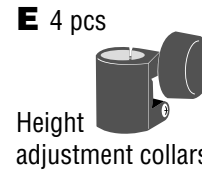
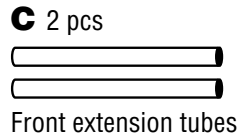
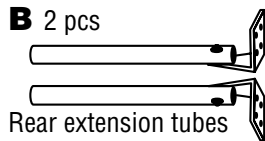
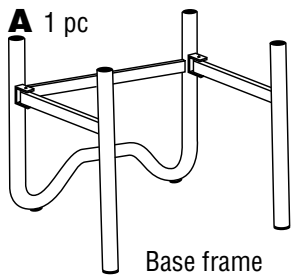


# Onyx™ Drafting Table

## Assembly Instructions

**Tools required:** Phillips screwdriver and awl or 1/16" drill.

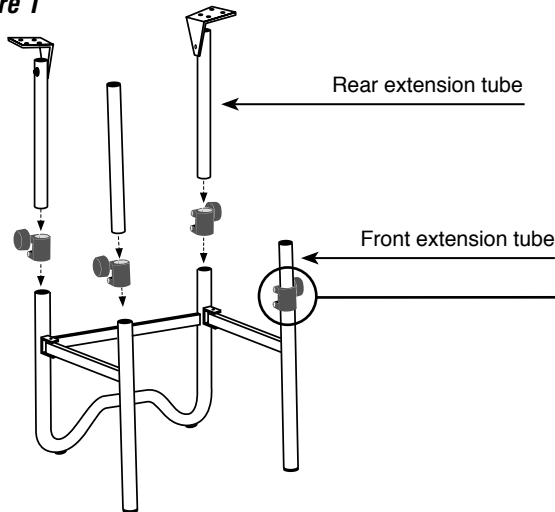
**Parts Included:**



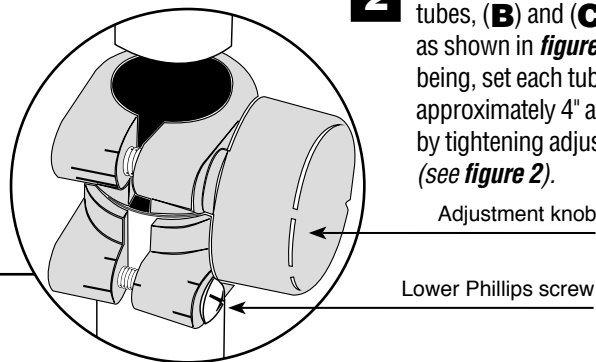
**To Assemble:** Unpack and inspect contents to confirm you have all the parts listed above.

**1** Open base frame (**A**) in the upright position and place one height adjustment collar (**E**) on top of each leg tube as shown in **figure 1**. Position adjustment knobs facing out and tighten lower screws using a Phillips screwdriver.

**Figure 1**



**Figure 2**



**2** Insert front and rear extension tubes, (**B**) and (**C**), into base frame as shown in **figure 1**. For the time being, set each tube at a height of approximately 4" and lock into place by tightening adjustment knob. (see **figure 2**).

**3** Place your drawing board/tabletop on a soft pad or carpet to avoid scratches with the best side facing down. Turn the assembled base frame (**A**) upside down and place on tabletop as shown in **figure 3**. Position the frame according to the dimensions in **figure 4**, depending on the size or your tabletop. Center from left to right. Place front guide tracks (**F**) under front leg extensions as shown.

**4** Use an awl or a 1/16" drill to start screw holes. Be careful not to drill all the way through tabletop.

**5** Attach rear extension brackets and front guide tracks to tabletop using 1/2" Phillips screws (**G**).

**Hint** Since some screws are hard to reach, try spinning adjustment collar so that adjustment knob is out of your way.

**6** Once all screws are secure, return table to its upright position and adjust tube extensions until tabletop is at desired height and angle.

**Figure 3**

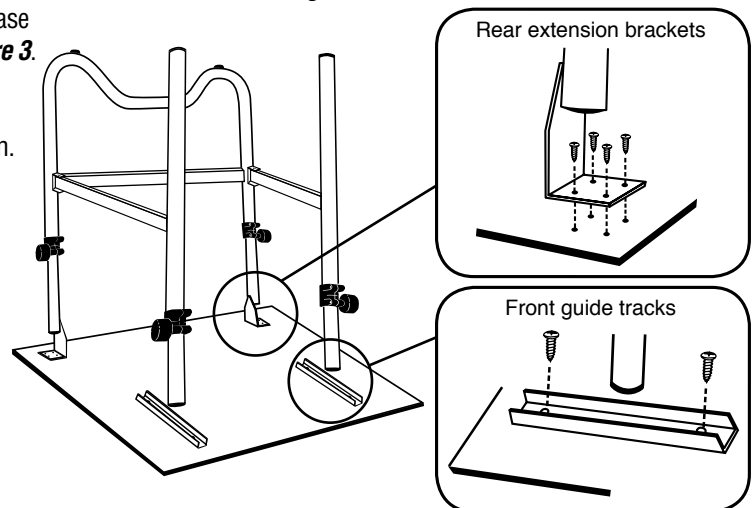
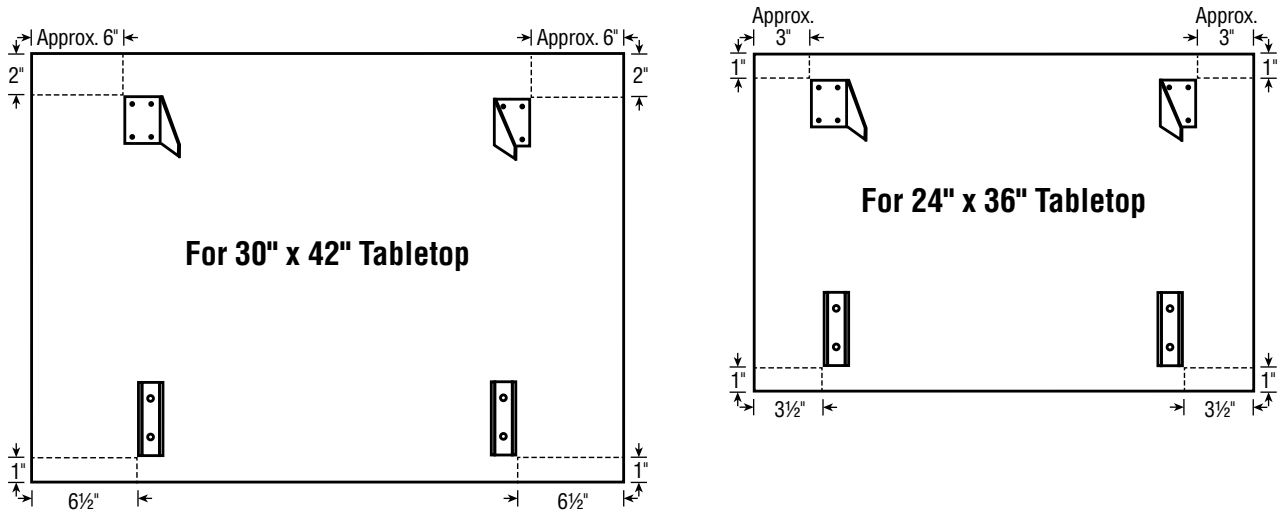
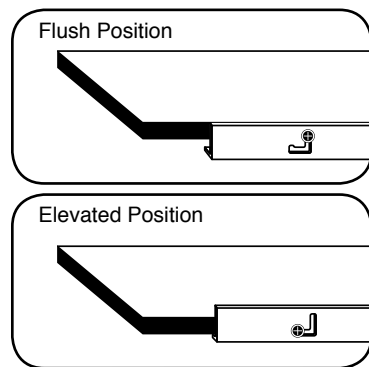
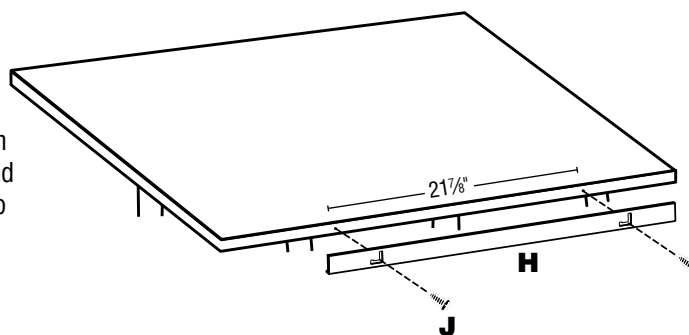


Figure 4



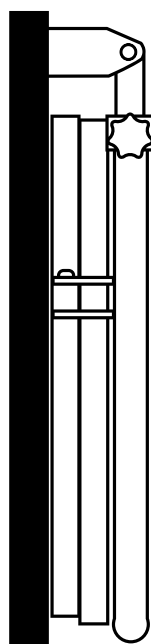
### To Attach Pencil Ledge

The pencil ledge (**H**) prevents materials from sliding off a tilted surface. Slotted connection allows for easy adjustment from flush to elevated position. Use an awl or a  $\frac{1}{16}$ " drill to start holes and attach using two screws (**J**) into front edge of tabletop.



### To Fold Table Flat

- 1** Loosen lower screws in front height adjustment collars (**E**) and spin collars until adjustment knobs face inward.
- 2** Lift front edge of tabletop slightly to remove front extension tubes from front guide tracks and swing legs inward. Left leg should be folded first.
- 3** When both front legs are folded into position, allow tabletop to drop downward.



**Hint** Tighten the two hinge bolts that connect the front legs to the back of the base frame to maximize the strength and stability of the table.

