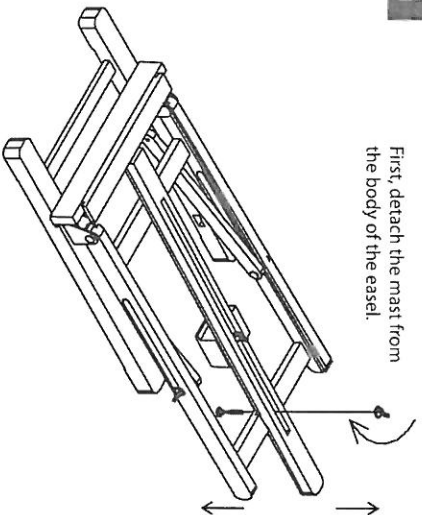


TABLETOP EASEL

assembly instructions
For model 50391-1002

1

First, detach the mast from the body of the easel.

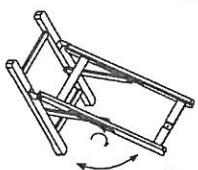


PARTS

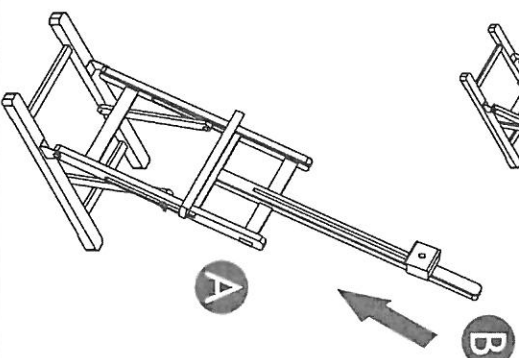


2

Upright the easel base.



Slide the mast back into the channel with the tray facing forward.



3

Secure the mast with the hardware.

