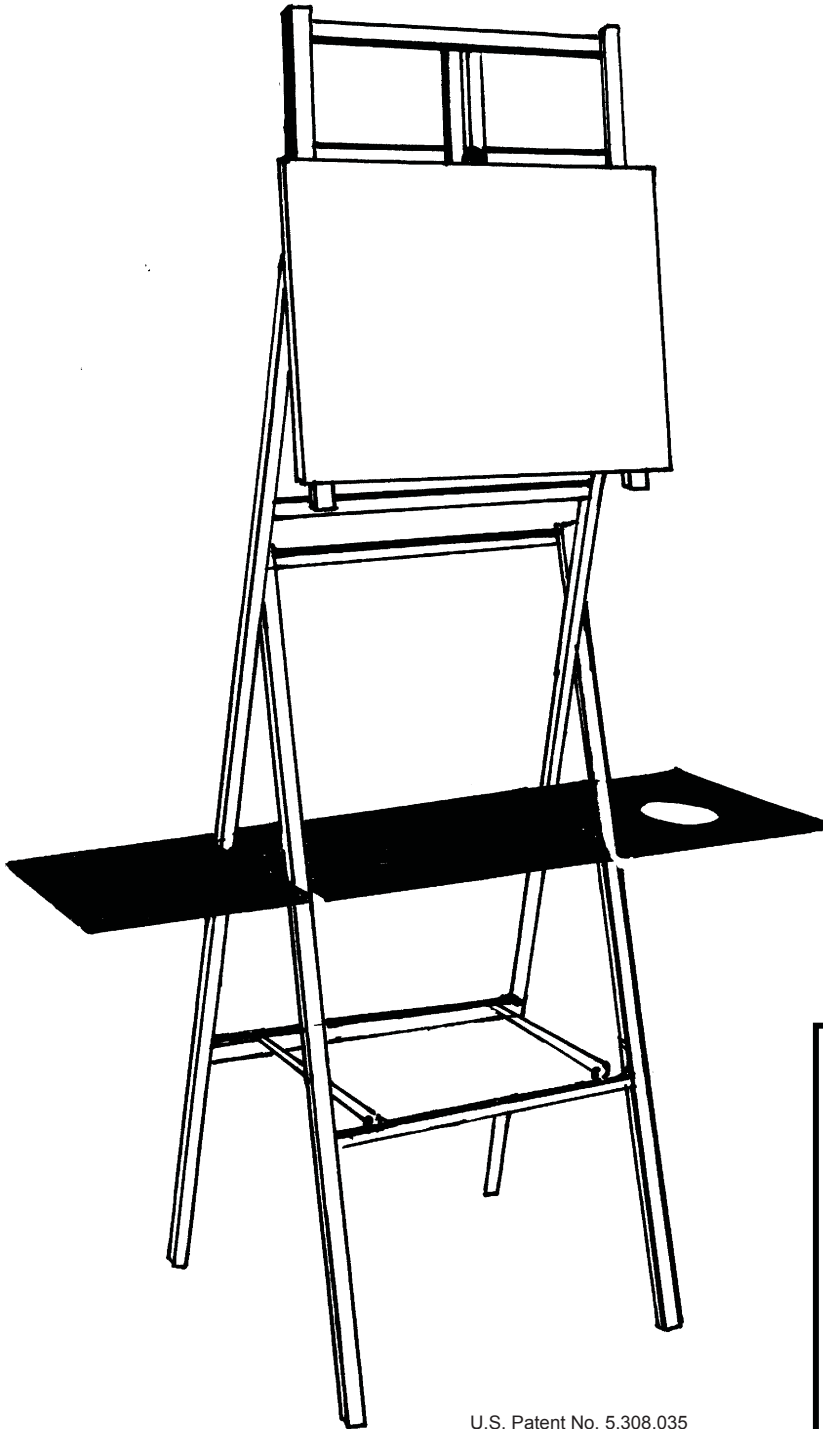
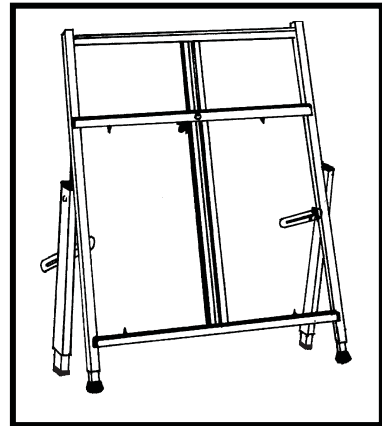


BOB ROSS 2-IN-1 EASEL

ITEM NUMBER U-BR1000
ASSEMBLY INSTRUCTIONS



U.S. Patent No. 5,308,035

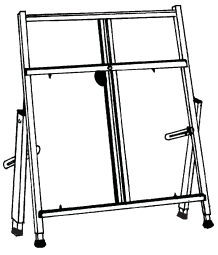


IMPORTANT

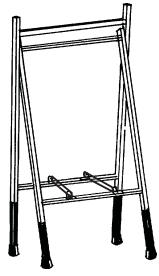
If you need assistance regarding the assembly of your Bob Ross 2-in-1 Easel or need information for ordering additional parts, please contact Bob Ross Distribution customer service at 1-800-262-7677 or email to info@bobross.com.



Distributed by:
Bob Ross Distribution
a division of Bob Ross Inc.
Herndon, Virginia USA
Email: info@bobross.com
Tel: 1-800-262-7677
Fax: 1-703-803-8793



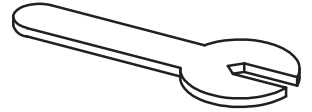
Upper Assembly



Lower Assembly



Art Material Shelf



Wrench

A

QTY: 1

B

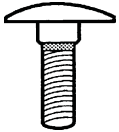
QTY: 1

C

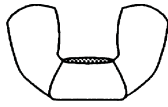
QTY: 1

D

QTY: 2



Bolt



Wing Nut



Locking Nut



Washer

E

QTY: 2

F

QTY: 2

G

QTY: 2

H

QTY: 2

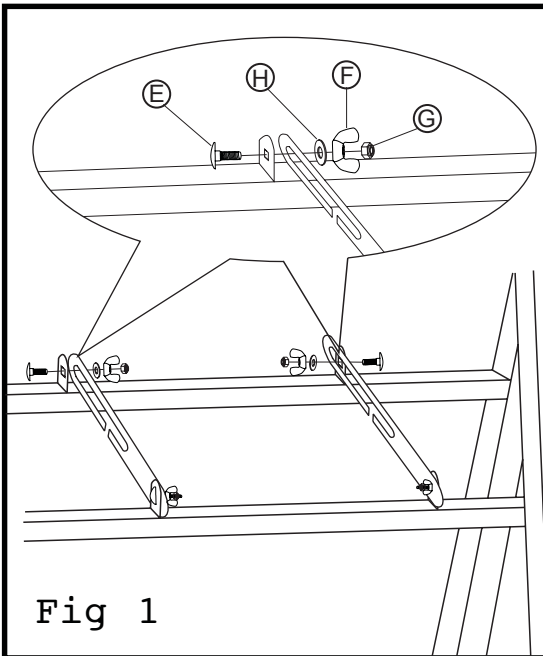


Fig 1

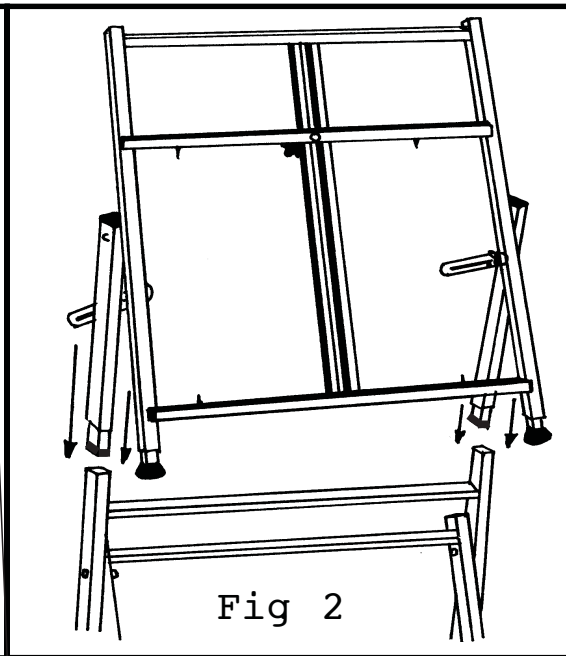


Fig 2

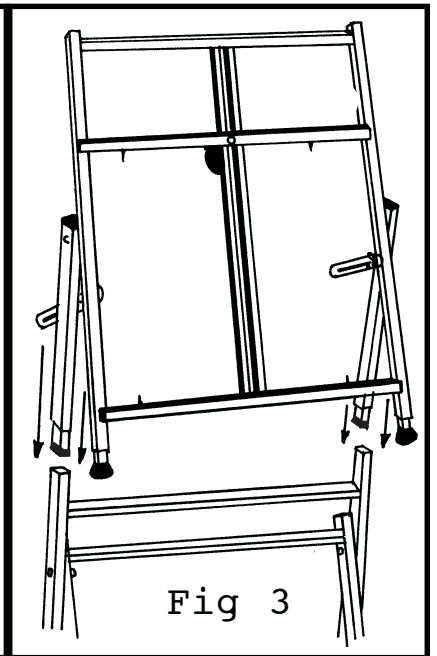


Fig 3

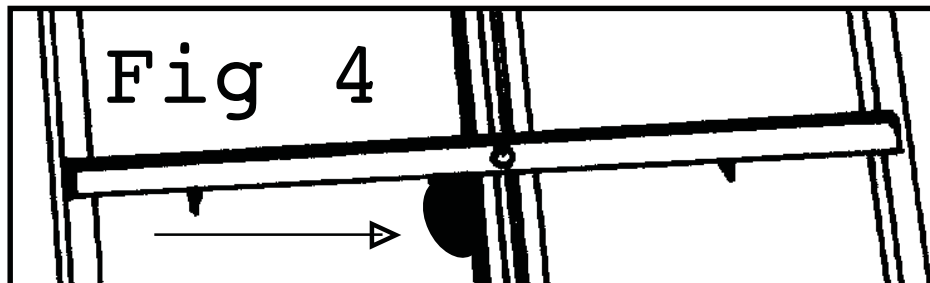


Fig 4